

POMELO (G033)

PARTS CATALOG

First Edition December 1998

RICOH COMPANY,LTD

PARTS CATALOG

INTRODUCTION

This chapter instructs you the numbers and names of parts on this machine.

INDEX to PARTS CATALOG

**POMELO
PAPER FEED UNIT**

**(G033)
(G657)**

PARTS CATALOG

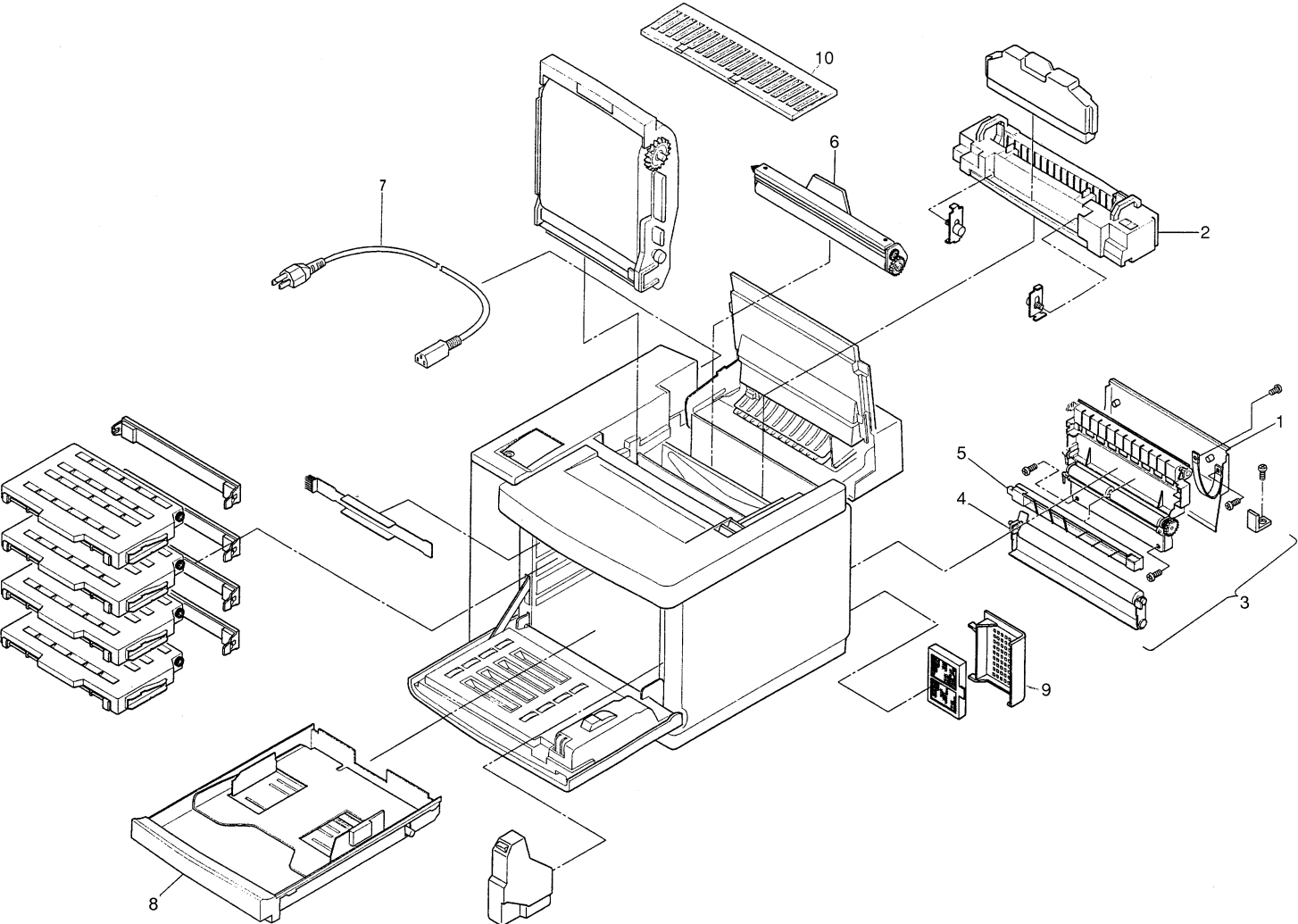
INTRODUCTION

This chapter instructs you the numbers and names of parts on this machine.


INDEX to PARTS CATALOG

1.MAIN FRAME 1 (G033)	2
2.MAIN FRAME 2 (G033)	4
3.MAIN FRAME 3 (G033)	6
4.MAIN FRAME 4 (G033)	8
5.PRINTER CONTROLLER (G033)	10
6.OPTION CASSETTE (G657).....	14
7.DECAL AND DOCUMENT (G033)	16
8.SPECIAL TOOLS (G033)	18
PARTS INDEX	21

1.MAIN FRAME 1 (G033)

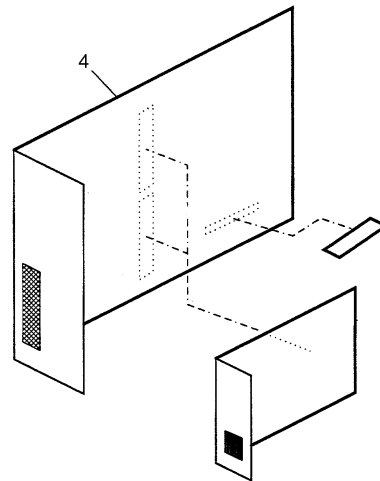
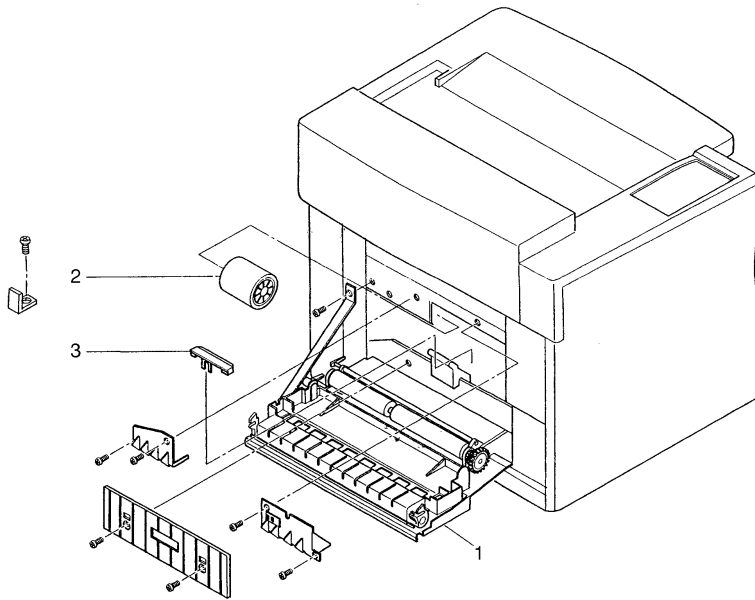


1.MAIN FRAME 1 (G033)


Index No.	Part No.	Description	Q'ty Per Assembly
1	V126 514	Rear Cover L	1
2	V126 126	Fusing Unit - US	1
2	V126 127	Fusing Unit - EC	1
3	V126 515	Transfer Unit	1
4	V126 137	Transfer Roller	1
5	V126 181	Paper Discharger	1
6	V126 140	Drum Cleaner	1
7	V126 148	Power Cord - US	1
8	V126 523	Paper Cassette - US	1
8	V126 524	Paper Cassette - EC	1
9	V126 518	Ozone Filter Cover	1
10	V126 403	Cleaner Cover	1
			

Index No.	Part No.	Description	Q'ty Per Assembly

2.MAIN FRAME 2 (G033)

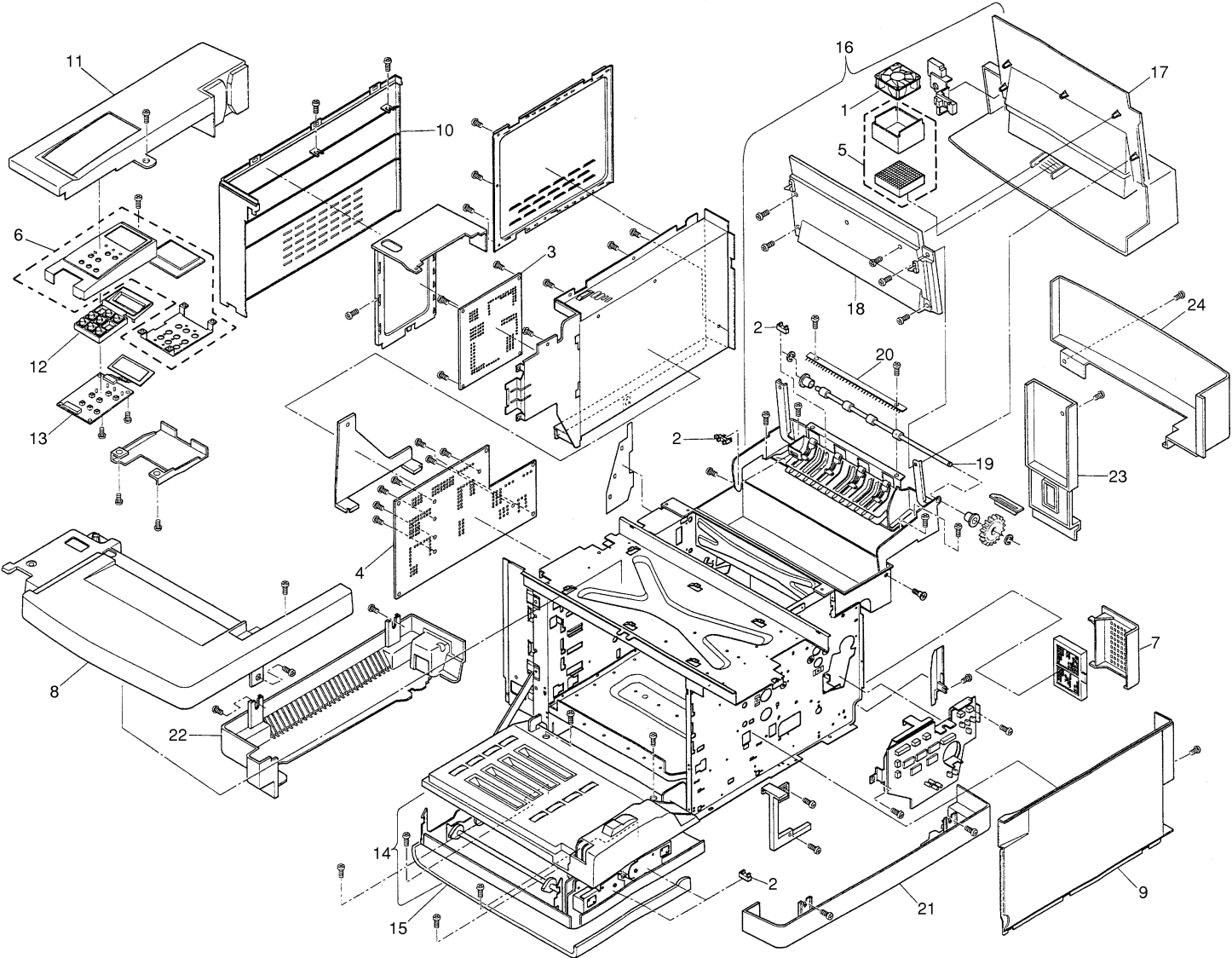


2.MAIN FRAME 2 (G033)

Index No.	Part No.	Description	Q'ty Per Assembly
1	V126 515	Transfer Unit	1
2	V126 142	Paper Feeding Roller	1
3	V126 176	Separator Pad	1
4	G033 5701	Printer Controller Board	1
			

Index No.	Part No.	Description	Q'ty Per Assembly

3.MAIN FRAME 3 (G033)

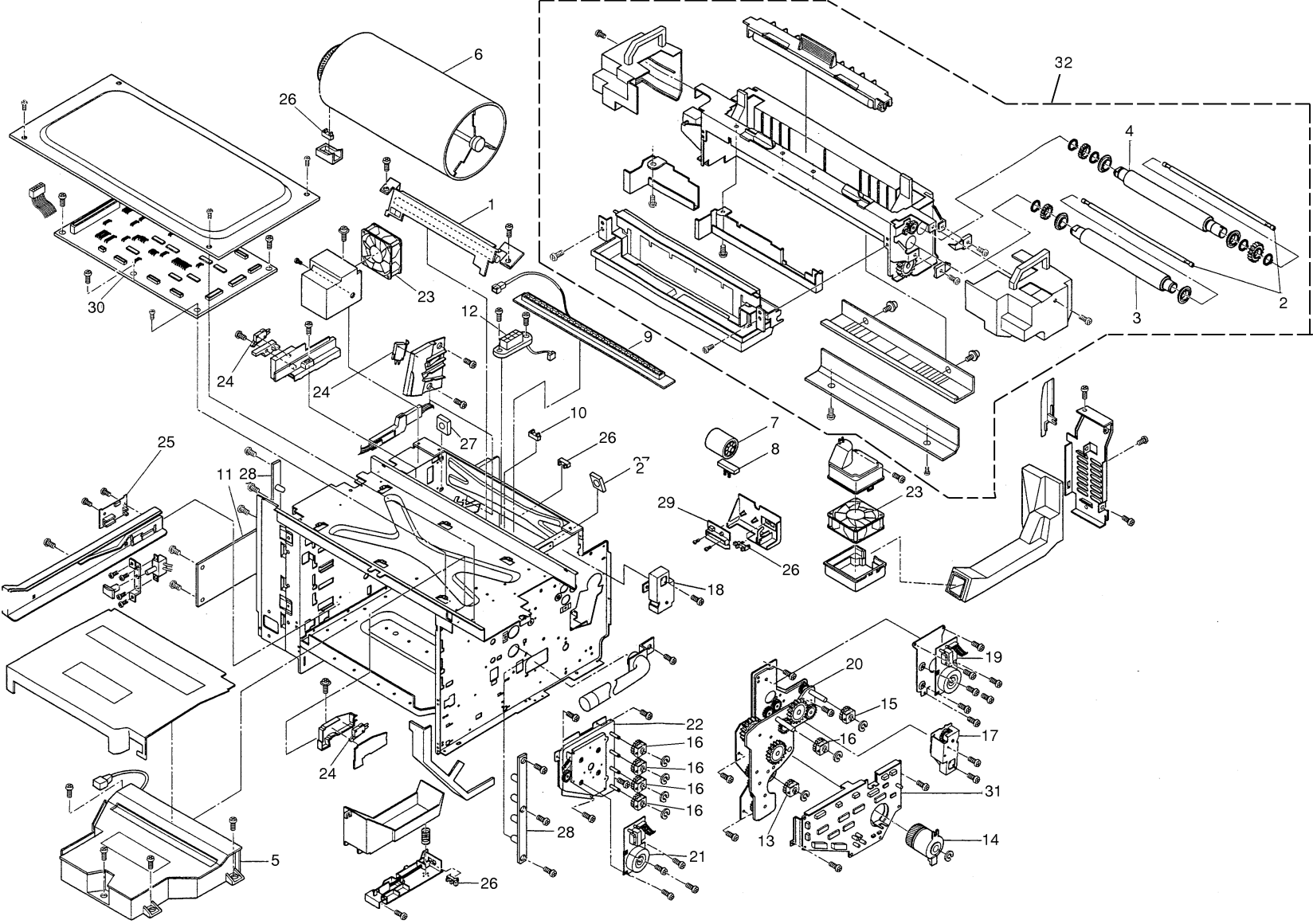


3.MAIN FRAME 3 (G033)

Index No.	Part No.	Description	Q'ty Per Assembly
1	V126 163	Cooling Fan	1
2	V126 167	Paper Sensor	4
3	V126 187	MCTL PWB	1
4	V126 174	High Voltage Unit	1
5	V126 175	Paper Exit Filter	1
6	V126 519	Panel Case Ass'y - US	1
6	V126 520	Panel Case Ass'y - EC	1
7	V126 518	Ozone Filter Cover	1
8	V126 500	Top Cover	1
9	V126 501	Side Cover R	1
10	V126 502	Side Cover L	1
11	V126 503	Upper Side Cover	1
12	V126 504	Panel Button	1
13	V126 505	Panel PWB	1
14	V126 522	Front Cover Unit	1
15	V126 521	Front Cover	1
16	V126 508	Paper Exit Unit	1
17	V126 509	Paper Exit Unit Cover	1
18	V126 117	Paper Exit Front Cover	1
19	V126 178	Paper Exit Roller	1
20	V123 842	Discharging Brush	1
21	V126 510	Base Cover R	1
22	V126 511	Base Cover L	1
23	V126 512	Rear Cover	1
24	V126 513	Rear Cover U	1

Index No.	Part No.	Description	Q'ty Per Assembly

4.MAIN FRAME 4 (G033)



4.MAIN FRAME 4 (G033)

Index No.	Part No.	Description	Q'ty Per Assembly
1	V126 125	Waste Toner Feeder	1
2	V123 857	Fusing Heater - US	1
2	V123 858	Fusing Heater - EC	1
3	V123 828	Fusing Roller	1
4	V126 133	Back-up Roller	1
5	V126 139	Optical Unit	1
6	V126 141	Transfer Drum	1
7	V126 142	Paper Feeding Roller	1
8	V126 176	Separator Pad	1
9	V126 144	Erase Lamp	1
10	V126 145	Oil Sensor	1
11	V126 064	Power Supply Unit	1
11	V126 146	Power Supply Unit - EC	1
12	V126 150	Fuser Connector	1
13	V126 152	Paper Feeding Clutch	1
14	V126 153	Registration Clutch	1
15	V126 154	Fuser Clutch	1
16	V126 155	Developer Clutch	5
17	V126 157	Transfer Solenoid	1
18	V126 158	Drum Cleaner Solenoid	1
19	V126 159	Main Motor	1
20	V126 160	Main Gear Unit	1
21	V126 161	Developer Drive Motor	1
22	V126 162	Developer Drive Unit	1
23	V126 163	Cooling Fan	2
24	V123 817	Interlock Switch	3
25	V126 166	Paper Size Sensor	1
26	V126 167	Paper Sensor	4
27	V126 168	Belt Sensor	1
28	V126 169	Toner Sensor Assy	1
29	V126 170	OHP Sensor	1
30	V126 172	IOD1 PWB	1
31	V126 173	IOD2 PWB	1
32	V126 126	Fusing Unit - US	1
32	V126 127	Fusing Unit - EU	1

Index No.	Part No.	Description	Q'ty Per Assembly

5.PRINTER CONTROLLER (G033)

CAPACITOR

SYMBOL NO.	INDEX NO.	SYMBOL NO.	INDEX NO.	SYMBOL NO.	INDEX NO.	SYMBOL NO.	INDEX NO.	SYMBOL NO.	INDEX NO.	SYMBOL NO.	INDEX NO.	SYMBOL NO.	INDEX NO.
C5	131	C31	131	C 51	156	C 61	131	C 71	131	C 81	152	C 91	153
C6	152	C32	150	C 52	156	C 62	156	C 72	130	C 82	156	C 92	149
C23	131	C33	----	C 53	156	C 63	156	C 73	156	C 83	156	C 93	131
C24	150	C44	156	C 54	156	C 64	156	C 74	153	C 84	156	C 94	155
C25	150	C45	156	C 55	156	C 65	150	C 75	156	C 85	152	C 95	154
C26	131	C46	156	C 56	156	C 66	156	C 76	131	C 86	153	C 96	154
C27	150	C47	156	C 57	131	C 67	152	C 77	156	C 87	156	C 97	130
C28	152	C48	----	C 58	156	C 68	156	C 78	156	C 88	131	C 98	130
C29	152	C49	156	C 59	156	C 69	152	C 79	156	C 89	130	C 99	130
C30	152	C50	156	C 60	150	C 70	153	C 80	156	C 90	156	C 100	131

CAPACITOR

SYMBOL NO.	INDEX NO.	SYMBOL NO.	INDEX NO.	SYMBOL NO.	INDEX NO.	SYMBOL NO.	INDEX NO.	SYMBOL NO.	INDEX NO.	SYMBOL NO.	INDEX NO.	SYMBOL NO.	INDEX NO.
C 101	156	C 111	131	C 121	130	C 131	156	C 141	150	C 151	153	C 161	156
C 102	156	C 112	130	C 122	156	C 132	152	C 142	153	C 152	151	C 162	152
C 103	153	C 113	153	C 123	156	C 133	156	C 143	156	C 153	152	C 163	156
C 104	130	C 114	156	C 124	153	C 134	152	C 144	130	C 154	156	C 164	156
C 105	156	C 115	130	C 125	149	C 135	150	C 145	131	C 155	149	C 165	156
C 106	156	C 116	131	C 126	130	C 136	150	C 146	131	C 156	156	C 166	152
C 107	150	C 117	156	C 127	131	C 137	156	C 147	131	C 157	156	C 167	150
C 108	156	C 118	153	C 128	156	C 138	149	C 148	131	C 158	156	C 168	131
C 109	156	C 119	156	C 129	149	C 139	131	C 149	130	C 159	156	C 169	150
C 110	131	C 120	153	C 130	156	C 140	131	C 150	156	C 160	156	C 170	132

5.PRINTER CONTROLLER (G033)

CAPACITOR

SYMBOL NO.	INDEX NO.
C171	131
C172	149
C173	156
C174	153
C175	156
C176	130
C177	156
C178	131
C179	131
C180	131

SYMBOL NO.	INDEX NO.
C181	131
C182	156
C183	156
C184	156
C185	156
C186	156
C187	156

CONNECTOR

SYMBOL NO.	INDEX NO.
CN1	105
CN2	101
CN3	101
CN4	102
CN5	107
CN6	103
CN7	104

DIODE

SYMBOL NO.	INDEX NO.
D1	109

FILTER

SYMBOL NO.	INDEX NO.
FIL1	133
FIL2	133

IC

SYMBOL NO.	INDEX NO.
IC1	125
IC2	121
IC3	1
IC4	113
IC5	2
IC6	124
(Socket)	106
IC7	123
IC8	123
IC9	111
IC10	118

SYMBOL NO.	INDEX NO.
IC11	114
IC12	112
IC13	126
IC14	119
IC15	157
IC16	157
IC17	4
IC18	119
IC19	157
IC20	157

SYMBOL NO.	INDEX NO.
IC21	122
IC22	119
IC23	157
IC24	157
IC25	---
IC26	3
IC27	120
IC28	116
IC29	119
IC30	157

IC

SYMBOL NO.	INDEX NO.
IC31	157
IC32	115
IC33	117
IC34	110

JUMPER

SYMBOL NO.	INDEX NO.
JP1	148
JP2	148
JP3	148
JP4	148
JP5	148
JP6	148
JP7	148
JP8	148
JP9	148
JP10	148

SYMBOL NO.	INDEX NO.
JP11	148
JP12	148
JP13	148
JP14	148
JP15	148
JP16	---
JP17	---
JP18	148
JP19	---
JP20	---

SYMBOL NO.	INDEX NO.
JP24	133
JP25	133
JP28	148
JP30	148
JP32	148

OSC

SYMBOL NO.	INDEX NO.
OSC1	128
OSC2	129

REG

SYMBOL NO.	INDEX NO.
REG2	127

RESISTOR

SYMBOL NO.	INDEX NO.
R1	---
R2	134
R3	147
R4	134
R5	134
R6	134
R7	---
R8	134
R9	134
R10	134

SYMBOL NO.	INDEX NO.
R11	142
R12	134
R13	134
R14	134
R15	134
R16	134
R17	134
R18	134
R19	134
R20	134

5.PRINTER CONTROLLER (G033)

RESISTOR

SYMBOL NO.	INDEX NO.	SYMBOL NO.	INDEX NO.	SYMBOL NO.	INDEX NO.	SYMBOL NO.	INDEX NO.	SYMBOL NO.	INDEX NO.	SYMBOL NO.	INDEX NO.	SYMBOL NO.	INDEX NO.
R 21	134	R 31	134	R 41	134	R 51	134	R 61	136	R 71	142	R 81	142
R 22	134	R 32	134	R 42	139	R 52	134	R 62	136	R 72	142	R 82	142
R 23	134	R 33	134	R 43	142	R 53	134	R 63	136	R 73	134	R 83	142
R 24	134	R 34	134	R 44	142	R 54	134	R 64	135	R 74	----	R 84	142
R 25	134	R 35	134	R 45	142	R 55	134	R 65	----	R 75	134	R 85	142
R 26	134	R 36	134	R 46	136	R 56	134	R 66	----	R 76	137	R 86	142
R 27	134	R 37	134	R 47	134	R 57	134	R 67	142	R 77	142	R 87	142
R 28	134	R 38	134	R 48	134	R 58	134	R 68	142	R 78	142	R 88	142
R 29	134	R 39	134	R 49	134	R 59	----	R 69	142	R 79	142	R 89	134
R 30	134	R 40	134	R 50	134	R 60	136	R 70	142	R 80	142	R 90	134

RESISTOR

SYMBOL NO.	INDEX NO.	SYMBOL NO.	INDEX NO.	SYMBOL NO.	INDEX NO.	SYMBOL NO.	INDEX NO.	SYMBOL NO.	INDEX NO.	SYMBOL NO.	INDEX NO.	SYMBOL NO.	INDEX NO.
R 91	134	R 101	146	R 111	142	R 121	134	R 131	142	R 141	142	R 151	134
R 92	134	R 102	134	R 112	142	R 122	134	R 132	142	R 142	142	R 152	141
R 93	134	R 103	142	R 113	142	R 123	134	R 133	142	R 143	142	R 153	134
R 94	134	R 104	142	R 114	142	R 124	142	R 134	142	R 144	142	R 154	142
R 95	134	R 105	142	R 115	142	R 125	142	R 135	142	R 145	134	R 155	142
R 96	134	R 106	142	R 116	142	R 126	142	R 136	142	R 146	134	R 156	142
R 97	134	R 107	142	R 117	134	R 127	142	R 137	142	R 147	134	R 157	142
R 98	142	R 108	142	R 118	134	R 128	134	R 138	142	R 148	134	R 158	142
R 99	142	R 109	142	R 119	134	R 129	142	R 139	142	R 149	134	R 159	142
R 100	146	R 110	142	R 120	134	R 130	142	R 140	142	R 150	134	R 160	145

RESISTOR

SYMBOL NO.	INDEX NO.
R161	145
R162	145
R163	145
R164	145
R165	142
R166	142
R167	142
R168	142
R169	142
R170	----

SYMBOL NO.	INDEX NO.
R171	134
R172	134
R173	134
R174	134
R175	134
R176	134
R177	134
R178	148
R179	144
R180	148

SYMBOL NO.	INDEX NO.
R181	138
R182	142
R183	144
R184	141
R185	141
R186	141
R187	141
R188	143
R189	143
R190	143

SYMBOL NO.	INDEX NO.
R191	143
R192	140
R193	140
R194	140
R195	140
R196	145
R197	145
R198	145
R199	----
R200	142

SYMBOL NO.	INDEX NO.
R201	142
R202	142
R203	134
R204	134

SWITCH

SYMBOL NO.	INDEX NO.
SW2	108

5.PRINTER CONTROLLER (G033)

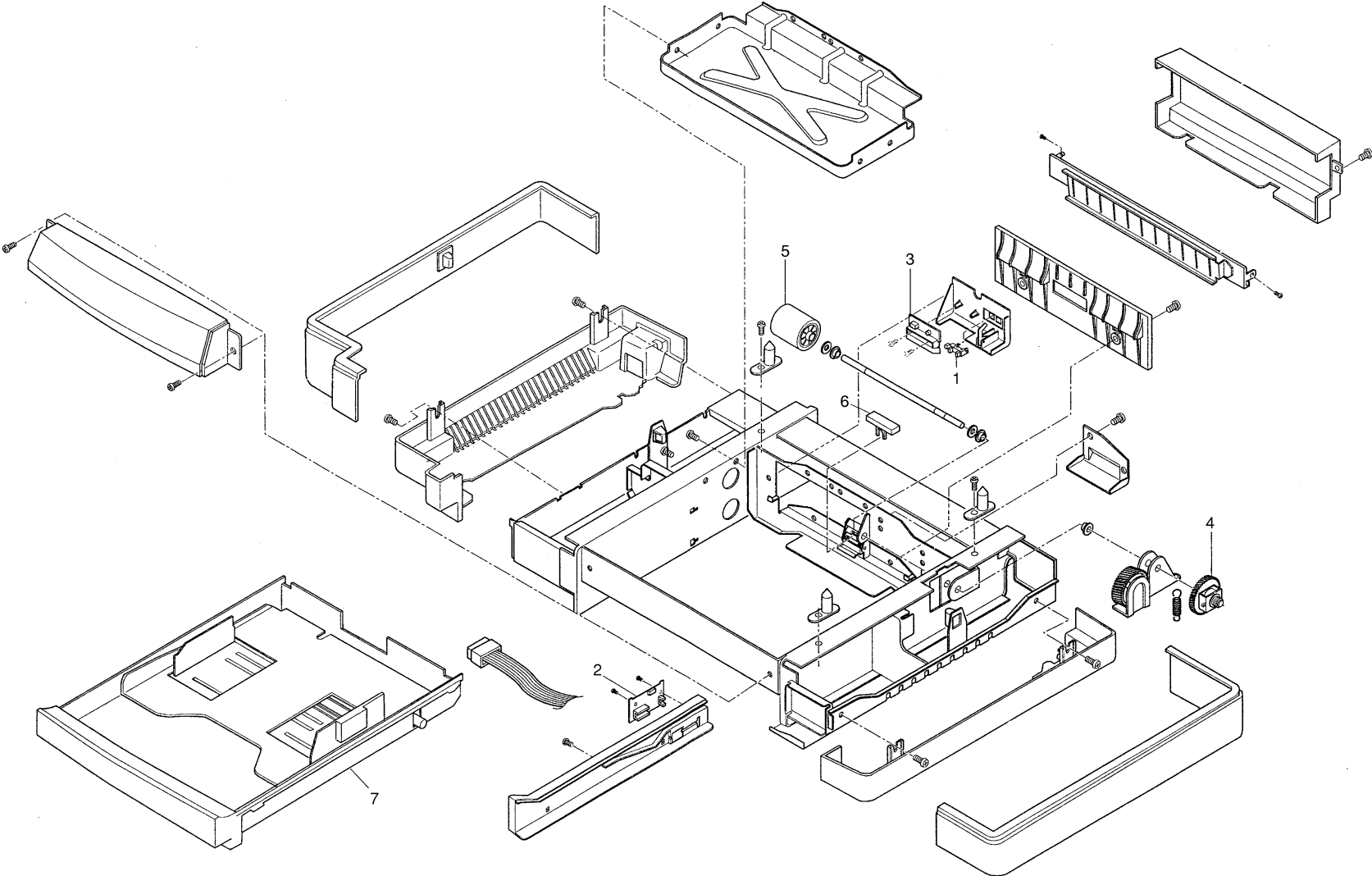
Index No.	Part No.	Description	Q'ty Per Assembly
*	G033 5701	Printer Controller Board	1
1	G021 5934	IC - Mask ROM - Font 32MB MSB	1
2	G021 5935	IC - Mask ROM - Font 32MB LSB	1
3	G024 5412	ASIC - FCI2.5C	1
4	G024 5413	ASIC - ROCKY F	1

Index No.	Part No.	Description	Q'ty Per Assembly
101	1102 7358	Connector - 80P	
102	1102 7553	Connector - SX1BA-72S-0.635SH	
103	1102 7785	Connector - 57RE-40360-830B	
104	1102 8011	Connector - FCN-56P068-G/F-V4	
105	1102 8012	Connector - 128A-064P2A-L14A	
106	1104 0378	IC Socket - 24P - DICF-24CS-E	
107	1104 0739	SIMM Socket 72P	
108	1204 2480	Dip Switch - 8SW DSS808	
109	1402 1343	Diode - RB106L-40	
110	1407 1596	TTLIC - SN74LS14NS	
111	1407 1600	TTLIC - SN74LS244NS	
112	1407 1741	TTL - SN74LS32NS	
113	1407 1747	TTLIC - SN74LS273NS	
114	1407 2052	TTLIC - SN74LS74ANS	
115	1407 2218	TTLIC - SN74LS06NS	
116	1407 2588	TTLIC - SN74ALS04BNS	
117	1407 3122	IC - RS-422A M5M34050FP	
118	1407 3292	IC - TC74HCT244AF	
119	1407 3729	IC - TC74ACT245F	
120	1407 4335	IC - M66236FP	
121	1407 4742	TTL - 74F1071MSA	
122	1407 4748	IC - CPU VR4300-133	
123	1407 4963	IC - MBM29F800TA-70pFTN	
124	1407 4997	IC - AT28C16E-15PC	
125	1407 5016	IC - CMOS 74LVX161284MEA	
126	1408 0611	IC - MB3771pF	
127	1408 1350	Regulator - PQ3RF23	
128	1503 0834	Oscilator - 44MHZ	
129	1503 0844	Oscilator - 17.7631MHZ	
130	1605 0677	Capacitor - 0.082 μ F \pm 10% 50V	
131	1605 0738	Capacitor - 0.01 μ F25V	
132	1605 0942	Capacitor - 0.22 μ F+80 -20% 50V	
133	1607 0978	Inductor - BLM21P300SPB	
134	1630 3103	Resistor - 10k Ω 1/10W \pm 5%	
135	1630 3104	Resistor - 100k Ω 1/10W \pm 5%	

Index No.	Part No.	Description	Q'ty Per Assembly
136	1630 3122	Resistor - 1.2k Ω 1/10W \pm 5%	
137	1630 3124	Resistor - 120 Ω \pm 5% 1/10W	
138	1630 3151	Resistor - 150 Ω \pm 5% 1/10W	
139	1630 3203	Resistor - 20 Ω \pm 5% 1/10W	
140	1630 3220	Resistor - 22 Ω \pm 5% 1/10W	
141	1630 3221	Resistor - 220 Ω \pm 5% 1/10W	
142	1630 3330	Resistor - 33 Ω \pm 5% 1/10W	
143	1630 3331	Resistor - 330 Ω \pm 5% 1/10W	
144	1630 3332	Resistor - 3.3K Ω 1/10W \pm 5%	
145	1630 3470	Resistor - 47 Ω 1/10W \pm 5%	
146	1630 3519	Resistor - 5.1 Ω \pm 5% 1/10W	
147	1630 3752	Resistor - 7.5k Ω \pm 5% 1/10W	
148	1633 0000	Resistor - 0 Ω 1/10W	
149	1642 2101	Capacitor - 100 Ω \pm 20% 25V	
150	1642 2470	Capacitor - 47 μ F \pm 20% 25V	
151	1643 2220	Capacitor - 22 μ F \pm 20% 25V	
152	1660 3221	Capacitor - 220pF \pm 5% 50V	
153	1660 3471	Capacitor - 470pF 50V	
154	1660 3680	Capacitor - 68pF 5% 50V	
155	1660 5102	Capacitor - 1000pF \pm 10% 50V	
156	1660 9104	Capacitor - 0.1 μ F25V	
157	1903 1010	IC - DRAM 16M 2MX8 60ns EDO G3	

Index No.	Part No.	Description	Q'ty Per Assembly

6.OPTION CASSETTE (G657)




6.OPTION CASSETTE (G657)



Index No.	Part No.	Description	Q'ty Per Assembly
1	V126 167	Paper Sensor	1
2	V126 166	Paper Size Sensor	1
3	V126 170	OHP Sensor	1
4	V126 152	Paper Feeding Clutch	1
5	V126 142	Paper Feeding Roller	1
6	V126 176	Separator Pad	1
7	V126 523	Paper Cassette - US	1
7	V126 524	Paper Cassette - EC	1

Index No.	Part No.	Description	Q'ty Per Assembly
-----------	----------	-------------	-------------------

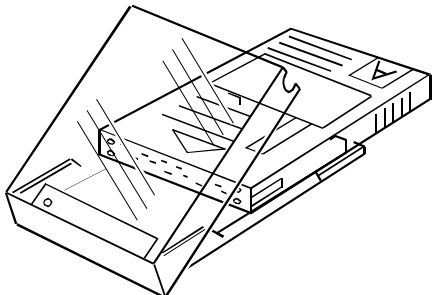
7.DECAL AND DOCUMENT (G033)

Index No.	Part No.	Description	Q'ty Per Assembly
1	G033 8617	Quick Installation Guide - US	1
1	G033 8610	Quick Installation Guide - EU	1
2	G033 8607	Operating Instructions - US	1
2	G033 8650	Operating Instructions - SVN	1
2	G033 8697	Operating Instructions - GES	1
2	G503 8600	Operating Instructions - RPS2	1
3	G608 6600	Brand Name Seal - SVN	1
4	G608 6610	Brand Name Seal - GES	1
			

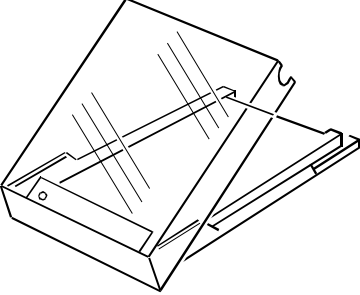
Index No.	Part No.	Description	Q'ty Per Assembly

8.SPECIAL TOOLS (G033)

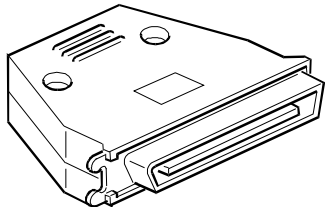
1



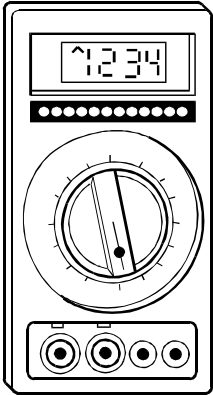
2



3



4



8.SPECIAL TOOLS (G033)

Index No.	Part No.	Description	Q'ty Per Assembly
1	A230 9352	Flash Memory Card - 4MB	1
2	A230 9351	Case - Flash Memory Card	1
3	G010 9350	Loopback Conector - P-RS3CNT	1
3	G021 9350	Loopback Conector - Parallel	1
4	5420 9507	Digital Multimeter - Beckman	1

Index No.	Part No.	Description	Q'ty Per Assembly

PARTS INDEX

Part No.	Description	Page and Index No.
G033 5701	Printer Controller Board	5- 4
G033 5701	Printer Controller Board	13- *
G033 8607	Operating Instructions - US	17- 2
G033 8610	Quick Installation Guide - EU	17- 1
G033 8617	Quick Installation Guide - US	17- 1
G033 8650	Operating Instructions - SVN	17- 2
G033 8697	Operating Instructions - GES	17- 2

Part No.	Description	Page and Index No
G010 9350	Loopback Conector - P-RS3CNT	19- 3
G021 5934	IC - Mask ROM - Font 32MB MSB	13- 1
G021 5935	IC - Mask ROM - Font 32MB LSB	13- 2
G021 9350	Loopback Conector - Parallel	19- 3
G024 5412	ASIC - FC12.5C	13- 3
G024 5413	ASIC - ROCKY F	13- 4
G033 5701	Printer Controller Board	13- *
G033 5701	Printer Controller Board	5- 4
G033 8607	Operating Instructions - US	17- 2
G033 8610	Quick Installation Guide - EU	17- 1
G033 8617	Quick Installation Guide - US	17- 1
G033 8650	Operating Instructions - SVN	17- 2
G033 8697	Operating Instructions - GES	17- 2
G503 8600	Operating Instructions - RPS2	17- 2
G608 6600	Brand Name Seal - SVN	17- 3
G608 6610	Brand Name Seal - GES	17- 4
V123 817	Interlock Switch	9- 24
V123 828	Fusing Roller	9- 3
V123 842	Discharging Brush	7- 20
V123 857	Fusing Heater - US	9- 2
V123 858	Fusing Heater - EC	9- 2
V126 064	Power Supply Unit	9- 11
V126 117	Paper Exit Front Cover	7- 18
V126 125	Waste Toner Feeder	9- 1
V126 126	Fusing Unit - US	9- 32
V126 126	Fusing Unit - US	3- 2
V126 127	Fusing Unit - EU	9- 32
V126 127	Fusing Unit - EC	3- 2
V126 133	Back-up Roller	9- 4
V126 137	Transfer Roller	3- 4
V126 139	Optical Unit	9- 5
V126 140	Drum Cleaner	3- 6
V126 141	Transfer Drum	9- 6
V126 142	Paper Feeding Roller	9- 7
V126 142	Paper Feeding Roller	15- 5

Part No.	Description	Page and Index No.
V126 142	Paper Feeding Roller	5- 2
V126 144	Erase Lamp	9- 9
V126 145	Oil Sensor	9- 10
V126 146	Power Supply Unit - EC	9- 11
V126 148	Power Cord - US	3- 7
V126 150	Fuser Connector	9- 12
V126 152	Paper Feeding Clutch	9- 13
V126 152	Paper Feeding Clutch	15- 4
V126 153	Registration Clutch	9- 14
V126 154	Fuser Clutch	9- 15
V126 155	Developer Clutch	9- 16
V126 157	Transfer Solenoid	9- 17
V126 158	Drum Cleaner Solenoid	9- 18
V126 159	Main Motor	9- 19
V126 160	Main Gear Unit	9- 20
V126 161	Developer Drive Motor	9- 21
V126 162	Developer Drive Unit	9- 22
V126 163	Cooling Fan	9- 23
V126 163	Cooling Fan	7- 1
V126 166	Paper Size Sensor	9- 25
V126 166	Paper Size Sensor	15- 2
V126 167	Paper Sensor	15- 1
V126 167	Paper Sensor	7- 2
V126 167	Paper Sensor	9- 26
V126 168	Belt Sensor	9- 27
V126 169	Toner Sensor Assy	9- 28
V126 170	OHP Sensor	9- 29
V126 170	OHP Sensor	15- 3
V126 172	IOD1 PWB	9- 30
V126 173	IOD2 PWB	9- 31
V126 174	High Voltage Unit	7- 4
V126 175	Paper Exit Filter	7- 5
V126 176	Separator Pad	15- 6
V126 176	Separator Pad	9- 8
V126 176	Separator Pad	5- 3

Part No.	Description	Page and Index No.
V126 178	Paper Exit Roller	7- 19
V126 181	Paper Discharger	3- 5
V126 187	MCTL PWB	7- 3
V126 403	Cleaner Cover	3- 10
V126 500	Top Cover	7- 8
V126 501	Side Cover R	7- 9
V126 502	Side Cover L	7- 10
V126 503	Upper Side Cover	7- 11
V126 504	Panel Button	7- 12
V126 505	Panel PWB	7- 13
V126 508	Paper Exit Unit	7- 16
V126 509	Paper Exit Unit Cover	7- 17
V126 510	Base Cover R	7- 21
V126 511	Base Cover L	7- 22
V126 512	Rear Cover	7- 23
V126 513	Rear Cover U	7- 24
V126 514	Rear Cover L	3- 1
V126 515	Transfer Unit	5- 1
V126 515	Transfer Unit	3- 3
V126 518	Ozone Filter Cover	7- 7
V126 518	Ozone Filter Cover	3- 9
V126 519	Panel Case Ass'y - US	7- 6
V126 520	Panel Case Ass'y - EC	7- 6
V126 521	Front Cover	7- 15
V126 522	Front Cover Unit	7- 14
V126 523	Paper Cassette - US	15- 7
V126 523	Paper Cassette - US	3- 8
V126 524	Paper Cassette - EC	15- 7
V126 524	Paper Cassette - EC	3- 8

Part No.	Description	Page and Index No.
A230 9351	Case - Flash Memory Card	19- 2
A230 9352	Flash Memory Card - 4MB	19- 1

Part No.	Description	Page and Index No
5420 9507	Digital Multimeter - Beckman	19- 4

Part No.	Description	Page and Index No.
1102 7358	Connector - 80P	13-101
1102 7553	Connector - SX1BA-72S-0.635SH	13-102
1102 7785	Connector - 57RE-40360-830B	13-103
1102 8011	Connector - FCN-56P068-G/F-V4	13-104
1102 8012	Connector - 128A-064P2A-L14A	13-105
1104 0378	IC Socket - 24P - DICF-24CS-E	13-106
1104 0739	SIMM Socket 72P	13-107
1204 2480	Dip Switch - 8SW DSS808	13-108
1402 1343	Diode - RB106L-40	13-109
1407 1596	TTLIC - SN74LS14NS	13-110
1407 1600	TTLIC - SN74LS244NS	13-111
1407 1741	TTL - SN74LS32NS	13-112
1407 1747	TTLIC - SN74LS273NS	13-113
1407 2052	TTLIC - SN74LS74ANS	13-114
1407 2218	TTLIC - SN74LS06NS	13-115
1407 2588	TTLIC - SN74ALS04BNS	13-116
1407 3122	IC - RS-422A M5M34050FP	13-117
1407 3292	IC - TC74HCT244AF	13-118
1407 3729	IC - TC74ACT245F	13-119
1407 4335	IC - M66236FP	13-120
1407 4742	TTL - 74F1071MSA	13-121
1407 4748	IC - CPU VR4300-133	13-122
1407 4963	IC - MBM29F800TA-70PFTN	13-123
1407 4997	IC - AT28C16E-15PC	13-124
1407 5016	IC - CMOS 74LVX161284MEA	13-125
1408 0611	IC - MB3771PF	13-126
1408 1350	Regulator - PQ3RF23	13-127
1503 0834	Oscillator - 44MHZ	13-128
1503 0844	Oscillator - 17.7631MHZ	13-129
1605 0677	Capacitor - 0.082 μ F \pm 10% 50V	13-130
1605 0738	Capacitor - 0.01 μ F 25V	13-131
1605 0942	Capacitor - 0.22 μ F +80 -20% 50V	13-132
1607 0978	Inductor - BLM21P300SPB	13-133
1630 3103	Resistor - 10k Ω 1/10W \pm 5%	13-134
1630 3104	Resistor - 100k Ω 1/10W \pm 5%	13-135

Part No.	Description	Page and Index No
1630 3122	Resistor - 1.2k Ω 1/10W \pm 5%	13-136
1630 3124	Resistor - 120 Ω \pm 5% 1/10W	13-137
1630 3151	Resistor - 150 Ω \pm 5% 1/10W	13-138
1630 3203	Resistor - 20 Ω \pm 5% 1/10W	13-139
1630 3220	Resistor - 22 Ω \pm 5% 1/10W	13-140
1630 3221	Resistor - 220 Ω \pm 5% 1/10W	13-141
1630 3330	Resistor - 33 Ω \pm 5% 1/10W	13-142
1630 3331	Resistor - 330 Ω \pm 5% 1/10W	13-143
1630 3332	Resistor - 3.3K Ω 1/10W \pm 5%	13-144
1630 3470	Resistor - 47 Ω 1/10W \pm 5%	13-145
1630 3519	Resistor - 5.1 Ω \pm 5% 1/10W	13-146
1630 3752	Resistor - 7.5k Ω \pm 5% 1/10W	13-147
1633 0000	Resistor - 0 Ω 1/10W	13-148
1642 2101	Capacitor - 100 Ω \pm 20% 25V	13-149
1642 2470	Capacitor - 47 μ F \pm 20% 25V	13-150
1643 2220	Capacitor - 22 μ F \pm 20% 25V	13-151
1660 3221	Capacitor - 220pF \pm 5% 50V	13-152
1660 3471	Capacitor - 470pF 50V	13-153
1660 3680	Capacitor - 68pF 5% 50V	13-154
1660 5102	Capacitor - 1000pF \pm 10% 50V	13-155
1660 9104	Capacitor - 0.1 μ F 25V	13-156
1903 1010	IC - DRAM 16M 2MX8 60ns EDO G3	13-157